

DH-CS4228-24GT

26-Port Cloud Managed Desktop Switch



- Meets the requirements of IEEE802.3, IEEE802.3u, IEEE802.3x, IEEE802.3ab standards.
- A wide operating temperature range and a full metal casing that is fully-enclosed and dust-proof.



Series Overview

Highly intuitive, the Smart Managed Switch can manage local networks. With the DoLynk Care platform, it can also perform cloud management. The switch performs operation and maintenance using topology visualization on front-end, transmission and back-end storage devices that are in the security system and IT system. With its full metal design, the switch has great heat dissipation and can operate in temperatures ranging -10°C to 55°C. It offers EMC and has protection against overvoltage, overcurrent, static electricity, lightning strikes, pulses and other types of interference. The switch can be used in small and medium-sized businesses such as supermarkets, offices, restaurants, cafés and hotels.

Functions

Local and Cloud Management

Professional cloud network management with operation and maintenance services greatly reduces the investment cost of enterprise user network management. At the same time, it improves the network operation and maintenance management experience.

Network Topology Management

Supports the LLDP protocol and is able to generate and display the network topology, so that you can quickly identify issues, and perform operation and maintenance remotely on devices that are in the topology.

Link Aggregation

Combines multiple physical links into one virtual channel for dynamic redundancy and load balancing, ensuring that the connection remains stable.

All-Gigabit Ports

Designed with large buffer memory and all-Gigabit ports, enabling high-definition access of large stream.

Spanning Tree Protocol (STP)

Uses algorithms that calculate the best loop-free path through a Layer 2 network while providing path redundancy to prevent the occurrence of broadcast storms and enhance the stability of operations and services.

Fanless Design

The fanless design reduces noise, enhances user experience, reduces mechanical losses and improves service life to a certain extent.

Scene

Suitable for scenes such as houses, factories and offices.

Technical Specification

Basic

Switching Capacity	56 Gbps
Packet Forwarding Rate	41.66 Mpps
Description of Function Slots	Port 1-24: 24 × RJ-45 10/100/1000 Mbps; Port 25-26: 2 × RJ-45 10/100/1000 Mbps (uplink); Port 27-28: 2 × SFP 1000 Mbps (uplink)
Layer	Layer 2
Management Type	Yes
Operating Temperature	-10 °C to +55 °C (+14 °F to +131 °F)
Operating Humidity	5%–95% (RH), non-condensing
Power Consumption	Idling: 4 W ; Full load: 14.4 W
Power Supply	Built-in power supply: 100–240 VDC, 47–63 Hz, max 1.2 A
Statics Protection	Air discharge: 8 kV; Contact discharge: 6 kV
Lightning Protection	Common mode: 4 kV; Differential mode: 2 kV
Net Weight	2.37 kg (5.22 lb)
Product Dimensions	440 mm × 220 mm × 44 mm (17.32" × 8.66" × 1.73") (L × W × H)

Hardware

Included Power Adapter	Yes
PoE	No
Ethernet Port Speed	10/100/1000 Mbps
Ethernet Port Uplink Speed	10/100/1000 Mbps
Optical Port Uplink Speed	1 Gbps
Reset Button	1
Storage Temperature	-40 °C to +70 °C (-40 °F to +158 °F)
Storage Humidity	5%–95% (RH), non-condensing

Performance

Smart Managed Switch	Yes
MTBF	86.94 years
Packet Buffer Size	4 Mbit
Jumbo Frame	15K Byte
MAC Table Size	8K
VLAN Number	32
Communication Standard	IEEE802.3; IEEE802.3u; IEEE802.3x; IEEE802.3ab; IEEE802.3z

Feature

VLAN Function	Port-based VLAN
Port Feature	IEEE 802.3x flow control; Unknown unicast suppression; Multicast storm control; Broadcast storm control; Port self-loop detection;

	Ports self-loop detection
IEEE 802.3x Flow Control	Yes
Reliability	LLDP
DHCP Function	DHCP Client
Security	Port isolation
Equipment Management	Web management; Log; Cloud management

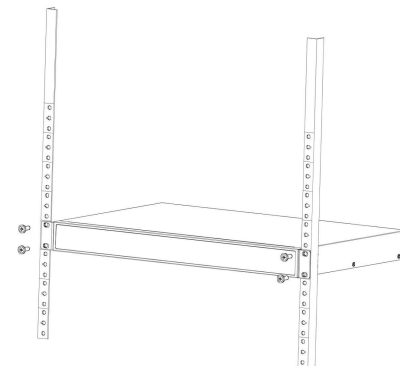
General

Gross Weight	2.5 kg (5.51 lb)
Packaging Dimensions	540 mm × 342 mm × 90 mm (21.25" × 13.46" × 3.54") (L × W × H)
Casing Material	Sheet metal
Installation	Desktop mount; rack mount
Packing List	1 × User Manual; 1 × Legal and Regulatory Information; 1 × Power Cord; 1 × Rack-mounting Kit

Ordering Information

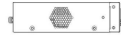
Type	Part Number	Description
Ethernet Switch	DH-CS4228-24GT	26-Port Cloud Managed Desktop Switch

Installation



Dimensions (mm[inch])

mm [inch]



Panels

