

# DH-PFA1320R

## Plastic Junction Box



- Built of PC material that has a V2 flame-retardant grade and is cost-effective.
- With its turnover shaft design, it is easy to disassemble, install and maintain.
- Designed with multiple installation holes, it is compatible with a wide variety of cameras. Also, it is mainly for use indoors and is not water proof.
- Supports multiple installation methods, such as wall mount, pole mount, ceiling mount, to meet the needs of a variety of scenes.
- Includes knockout holes on the side and bottom that can be opened to function as outlets.

### Series Overview

Dahua Junction Box is beautifully designed and highly convenient. Cables can be organized in it and there are outlets at the bottom and side of the box, making it easy to install and use.

### Scene

Ideal for mounting cameras, and works in temperatures ranging from  $-40\text{ }^{\circ}\text{C}$  to  $+60\text{ }^{\circ}\text{C}$  ( $-40\text{ }^{\circ}\text{F}$  to  $+140\text{ }^{\circ}\text{F}$ ) and in environments with a relative humidity of less than 90%.

### Technical Specification

#### Structure

Casing Material	PC
Product Dimensions	$\Phi 126.6\text{ mm} \times 45.0\text{ mm}$ ( $\Phi 4.98'' \times 1.77''$ )
Appearance Color	White
Net Weight	0.09 kg (0.20 lb)
Gross Weight	0.12 kg (0.26 lb)
Load Bearing	Bullet Camera: 0.6 kg (1.32 lb) Eyeball Camera: 1.0 kg (2.20 lb)
Installation	Junction mount
Applicable Model	Please see "Camera Accessories Selection"

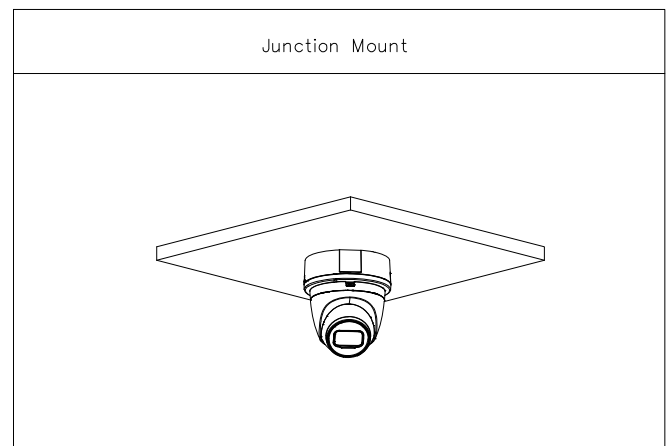
#### Environment

Operating Temperature	$-40\text{ }^{\circ}\text{C}$ to $+60\text{ }^{\circ}\text{C}$ ( $-40\text{ }^{\circ}\text{F}$ to $+140\text{ }^{\circ}\text{F}$ )
Operating Humidity	<90% (RH)
Storage Temperature	$-40\text{ }^{\circ}\text{C}$ to $+60\text{ }^{\circ}\text{C}$ ( $-40\text{ }^{\circ}\text{F}$ to $+140\text{ }^{\circ}\text{F}$ )
Storage Humidity	10%–90% (RH)
Anti-corrosion Level	Basic protection

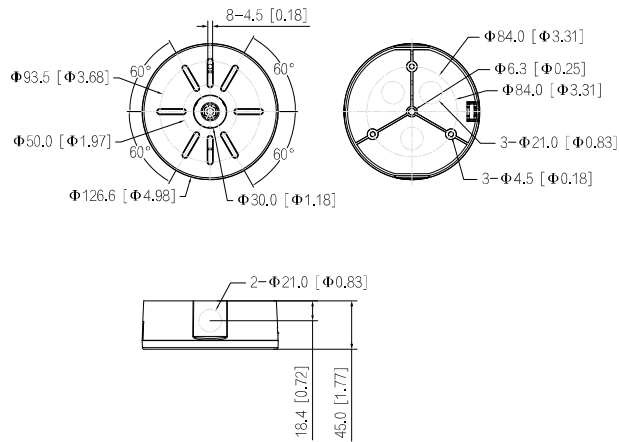
### Ordering Information

Type	Model	Description
Camera Mount	DH-PFA1320R	Plastic Junction Box
	PFA1320R	Plastic Junction Box

### Installation



**Dimensions (mm[inch])**



**Package Information**

- Junction box × 1
- M4×12 screw × 4
- M4 nut × 4
- 1-4-20-UNC nut × 1
- ST2.3×8 screw × 1
- ST4×25 screw × 3
- Plastic expansion bolt × 3
- Mounting sticker × 1