

# DH-PFA13G

## Junction Box

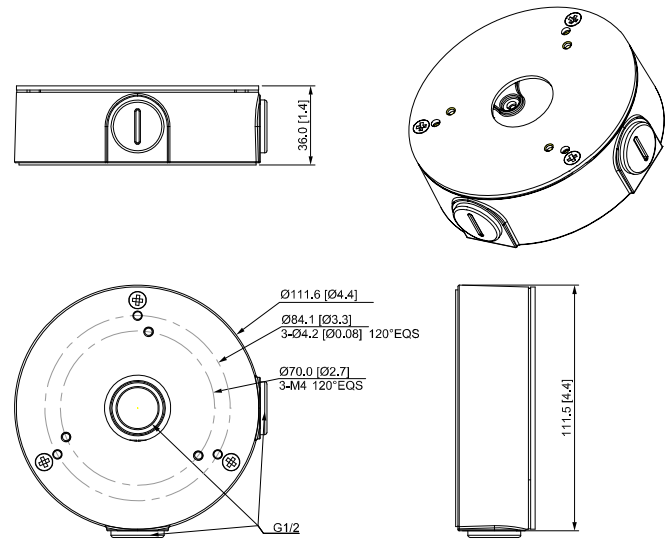


- Aluminum alloy material, cost-effective.
- Dedicated for particular cameras, beautiful and elegant designed.
- Cabling inside the junction box.
- Cable threading through bottom or side.



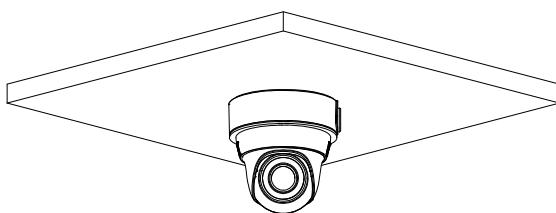
Technical Specification	
Material	Aluminum alloy
Dimensions	Φ111.6 mm × 36.0 mm (Φ4.39" × 1.42")
Pipe Thread	G1/2"
Weight	0.33 kg (0.73 lb)
Load Bearing	2.0 kg (4.4 lb)
Operating Temperature	-40°C to +60°C (-40°F to +140°F)
Operating Humidity	<90% (RH)
Color	White
Applicable Model	Please see "Accessory Selection"

### Dimensions (mm/inch)



Ordering Information		
Type	Part Number	Description
Camera Mount	DH-PFA13G	Junction Box
Camera Mount	PFA13G	Junction Box

### Installation



### Package Information

- Junction box \*1
- M4×10 screws \*3
- ST4×25 screws \*3
- Plastic expansion bolt \*3
- S3.0 wrench \*1
- G1/2 plastic waterproof connector \*1