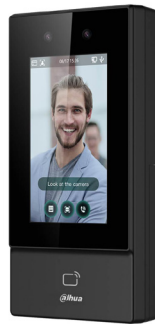


DHI-ASI6213S

Face Recognition Access Controller



Technical Specification

System

Main Processor	Embedded Processor
Button Type	Touch button
Network Protocol	UDP; TCP; IPv4; RTSP; SIP; P2P; RTP
OSDP Protocol	Yes
Interoperability	CGI; ONVIF
SDK and API	Yes

Basic

Product Type	Standalone
Display Screen	4.3" LCD
Screen Type	Capacitive Touchscreen
Screen Resolution	272 (H) × 480 (V)
Camera	2-MP CMOS HD dual-lens camera
WDR	DWDR
Light Compensation	Auto IR
Voice Prompt	Yes
Buzzer	Yes
Casing Material	PC+GF

Function

Unlock Mode	Card, remote, password, QR code, face and combination unlock
Card Type	IC card; Desfire card (EV3, Compatible with Dahua card by default)
Period List	128 periods

- 4.3 inch glass touch screen with a resolution of 272 × 480.
- 2-MP wide-angle dual-lens camera with IR illumination and DWDR.
- Multiple unlock methods including face, card and password.
- Supports 6,000 users, 6,000 faces, 6,000 passwords, 10,000 cards, 50 administrators, and 300,000 records.
- Recognizes faces 0.3 m to 1.5 m away (0.98 ft-4.92 ft); face recognition accuracy rate of 99.9% and the 1:N comparison time is 0.2 s per person.
- Supports improved security and to protect against the device being forcefully opened, security module expansion is supported.
- Features face mask detection and safety helmet detection.
- Manages attendance and exports attendance records.
- Supports visitor QR code and doorbell function.
- Supports making video calls and using the app to receive alarm notifications, remotely unlock doors and to perform other tasks.
- TCP/IP connection.
- IP65 rated.
- Plays advertisements in video and image format.

Holiday Period	128 periods
Network Update	Yes
First User Unlock	Yes
Remote Verification	Yes
Restricted List/Trusted List	Yes
Advertisement Playing	Plays advertisements in video and image format
Peripheral Card Reader	1 × RS-485 card reader 1 × Wiegand card reader
Multi-user Authentication	Yes
Real-time Monitoring	Yes
Multi-factor Authentication	Yes
Capture Function	Yes
Web Configuration	Yes
Auto Registration	Yes

RFID

Modulation Type	ASK
Frequency Range	13.56 MHz
Max. Transmission Power	42dBuA/m @10m

Performance

Card Reading Distance	0 cm–3 cm (0"–1.18")
-----------------------	----------------------

DHI-ASI6213S

Face Recognition Height Range	1.1 m–2.0 m (3.61 ft–6.56 ft)
Face Recognition Distance	0.3 m–1.5 m (0.98 ft–4.92 ft)
Face Recognition Accuracy	99.9%
Face Recognition Time	0.2 s

User

User (Card) Type	Normal user; VIP users; patrol users; guest user; blocklist user; other user; custom user 1; custom user 2
------------------	--

Capacity

User Capacity	6,000
Face Image Capacity	6,000
Card Capacity	10,000
Password Capacity	6,000
Record Capacity	300,000

Port

RS-485	1
Wiegand	1
USB	1
Network Port	1 × RJ-45 10/100 Mbps self-adaptive Ethernet port
Alarm Input	1
Alarm Output	1
Alarm Linkage	Yes
Exit Button	1
Door Status Detection	1
Lock Control	1

Alarm

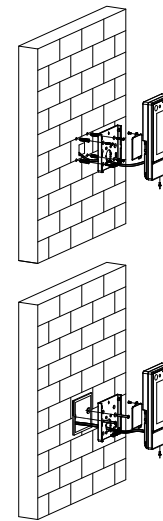
Anti-pass Back	Yes
Tamper Alarm	Yes
Duress Alarm	Yes
Door Sensor Timeout	Yes
Intrusion	Yes
Illegal Card Exceeding Threshold	Yes

General

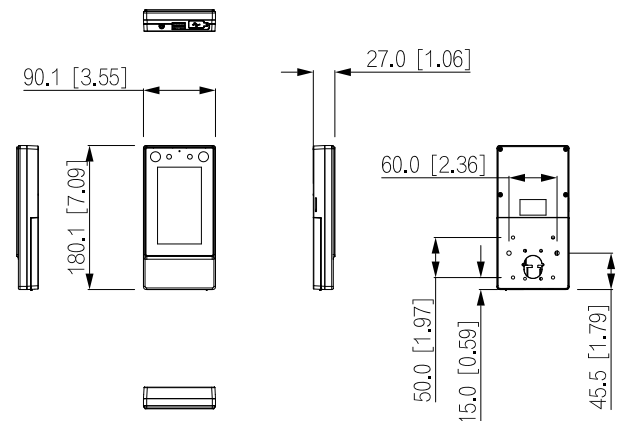
Power Adapter	Included
Power Supply	12 VDC, 1.5 A
Protection	IP65
Power Consumption	≤12 W
Product Dimensions	180.1 mm × 90.1 mm × 27.0 mm (7.09" × 3.55" × 1.06") (L × W × H)

Packaging Dimensions	268 mm × 136 mm × 78 mm (10.55" × 5.35" × 3.07") (L × W × H, in an inner carton) 590 mm × 432 mm × 302 mm (23.23" × 17.01" × 11.89") (L × W × H, protection box)
Operating Temperature	–30 °C to +60 °C (–22 °F to +140 °F)
Operating Humidity	0%–90% (RH), non-condensing
Operating Altitude	0 m–1,300 m (0 ft–4265.09 ft)
Operating Environment	Outdoor; Indoor
Gross Weight	0.70 kg (1.54 lb)
Accessory	Wall mount bracket (included)
Installation	Turnstile mount; 86 case mount; wall mount; surface mount

Installation



Dimensions (mm[inch])



Application

