

# DHI-ASI6214J-MFW-V1

Dahua Single Door Face Recognition Access Controller



## Technical Specification

### System

Main Processor	Embedded Processor
Network Protocol	UDP;TCP;IPv6;IPv4;RTSP;SIP;P2P;RTP
OSDP Protocol	Yes
Interoperability	CGI;ONVIF
SDK and API	Yes

### Basic

Product Type	Standalone
Display Screen	4.3-inch LCD
Screen Type	Capacitive Touchscreen
Screen Resolution	272 (H) × 480 (V)
Camera	2MP CMOS high definition camera
WDR	DWDR
Light Compensation	Auto white light;Auto IR
Voice Prompt	Yes
Speaker	Yes
Casing Material	PC and ABS metal back case

### Function

Unlock Mode	Unlock through card, password, face, fingerprint, QR code and remote unlock. You can also combine them to create your own personal unlock methods.
Card Type	IC card; Desfire card (EV3,Compatible with Dahua card by default)
Period List	128

- Comes with a 4.3-inch LCD with a resolution of 272 (H) × 480 (V).
- 2MP CMOS dual-lens camera with IR and white light illumination and WDR functions.
- Multiple unlock methods including face, card, password, fingerprint and QR code. You can configure scheduled unlock methods, or combine them to create your own personal unlock methods.
- Supports 20,000 users, 20,000 faces, 10,000 fingerprints, 50,000 cards, 20,000 passwords, 50 administrators, and 300,000 records.
- Recognizes faces 0.3 m to 1.5 m away (0.98 ft-4.92 ft) at an accuracy of 99.9%, and compares 1 face with N faces at the speed of 0.2 seconds/person.
- Supports security extension modules for access control, preventing doors from being forcefully opened.
- Supports local attendance management and exporting attendance reports.
- Supports face mask detection and safety helmet detection.
- Supports visitor QR code and doorbell.
- Supports video intercom and app control.
- TCP/IP and Wi-Fi connection.
- IP65 rated.
- Plays advertisements in video and image format.

Holiday Period	128
Network Update	Yes
First User Unlock	Yes
Remote Verification	Yes
Restricted List/Trusted List	Yes
Advertisement Playing	Plays advertisements in video and image format
Wi-Fi	Yes
Wireless Standard	IEEE802.11b/802.11g/802.11n
Wireless Frequency Range	2.4 GHz
Max Transmission Power	≤20 dBm@2400-2483.5 MHz
Wireless Security Encryption	WPA/WPA2;WPA-PSK/WPA2-PSK
Peripheral Card Reader	1 × RS-485 card reader, and 1 × Wiegand card reader
Multi-user Authentication	Yes
Real-time Monitoring	Yes
Multi-factor Authentication	Yes
Capture Function	Yes
Web Configuration	Yes
Auto Registration	Yes

# Face Recognition Access Controller | DHI-ASI6214J-MFW-V1

RFID	
Modulation Type	ASK
Frequency Range	13.56 MHz
Max. Transmission Power	42dBuA/m @10m
Performance	
Card Reading Distance	0 cm–2 cm (0"–0.79")
Face Recognition Height Range	0.9 m–2.4 m (2.95 ft–7.87 ft)
Face Recognition Distance	0.3 m–1.5 m (0.98 ft–4.92 ft)
Face Recognition Accuracy	99.9%
Face Recognition Time	0.2 s
Fingerprint Sensor Type	Capacitive
Fingerprint Verification Mode	1:N
Fingerprint Comparison Time	1.5 s
Fingerprint Recognition Time	0.5 s
Code Type	Printed code, and electronic code
User	
User (Card) Type	Normal, VIP, patrol, guest, blacklist, customized user 1, customized user 2 and more.

Capacity	
User Capacity	20000
Face Image Capacity	20000
Fingerprint Capacity	10000
Card Capacity	50000
Password Capacity	20000
Record Capacity	300000

Port	
RS-485	1
Wiegand	1, input and output port
USB	1 × USB 2.0 port
Network Port	1 × 10 Mbps/100 Mbps Ethernet port
Alarm Input	1 (On/off signal)
Alarm Linkage	Yes
Exit Button	1
Door Status Detection	1
Lock Control	1

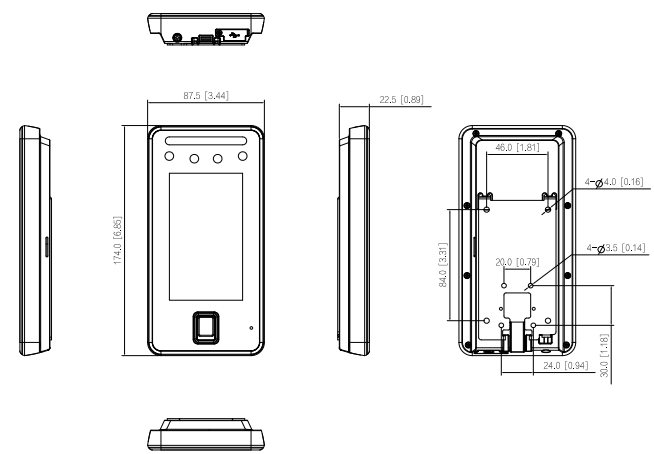
Alarm	
Anti-pass Back	Yes
Tamper Alarm	Yes

Duress Alarm	Yes
Door Sensor Timeout	Yes
Intrusion	Yes
Illegal Card Exceeding Threshold	Yes
Duress Fingerprint	Yes

General	
Power Adapter	Standard
Power Supply	12 VDC, 1.5A
Protection	IP65
Power Consumption	≤18 W
Product Dimensions	174.0 mm × 87.5 mm × 22.5 mm (6.85" × 3.44" × 0.89") (W × H × D)
Packaging Dimensions	219.0 mm × 122.0 mm × 111.0 mm (6.85" × 3.44" × 0.89") (W × H × D)
Operating Temperature	–30 °C to +60 °C (–22 °F to +140 °F)
Operating Humidity	5%–95% (RH), non-condensing
Operating Altitude	0 m–1,300 m (0 ft–4265.09 ft)
Gross Weight	0.80 kg (1.76 lb)
Accessory	Bracket (included)
Installation	Wall

Ordering Information		
Type	Model	Description
Face Recognition Access Controller	DHI-ASI6214J-MFW-V1	Dahua Single Door Face Recognition Access Controller

## Dimensions (mm[inch])



Rev 002.000 © 2025 Dahua. All rights reserved. Design and specifications are subject to change without notice. The images, specifications and information mentioned in the document are only for reference, and might differ from the actual product.