

# DHI-VTM504

## Video Intercom Demo Box



### Series Overview

The Demo Box is designed with a lightweight structure, making it easy to transport. It is compatible with various product models and solutions, providing a versatile display option for all your exhibition needs.

### Technical Specification

#### Function

Placement Direction	Horizontal
Case Opening	Hinge type
Cover Opening Angle	95°
Movement Method	4 × wheels
Wheel Braking System	Yes

#### Performance

Casing Material	Aluminum alloy
Interior	Acrylic panel
Load Bearing Capacity	20 kg (44.09 lb)

#### General

Unlocking Password	NO
Appearance Color	Black
Certifications	RoHS
Product Dimensions	602.0 mm × 421.4 mm × 311.5 mm (23.70" × 16.59" × 12.26")
Operating Temperature	-10 °C to +55 °C (14 °F to +131 °F)
Operating Humidity	10%-90% (RH), no condensing
Operating Environment	Indoor
Net Weight	10.1 kg (22.27 lb)

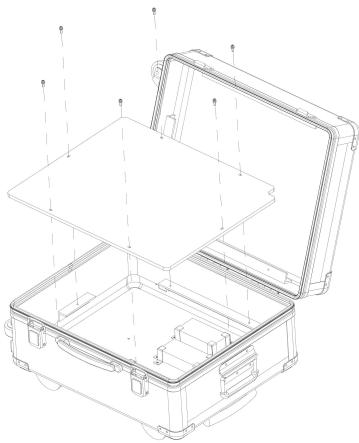
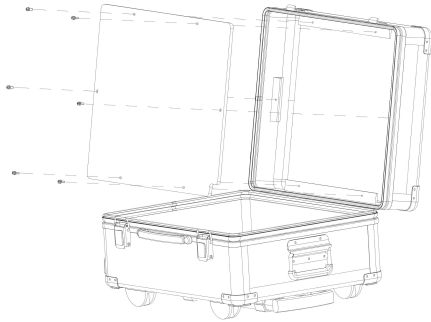
- Suitcase design.
- Made of aluminum alloy, which is sturdy and durable.
- Multi-directional wheel designed with a brake, making it convenient to carry.
- Acrylic surface with a sleek, elegant look.
- Telescopic pull rod.
- Double handles.

Gross Weight	13.6 kg (29.98 lb)
Wire Drawing	Dahua logo in exterior and function indications in interior
Anti-collision	Corner protection: Anti-collision reinforcement
Demo Board Thickness	8 mm (0.31")
Spring Rod	Telescopic pull rod
Handle	2
Storage Temperature	-10 °C to +40 °C (14 °F to +104 °F)

### Ordering Information

Type	Model	Description
Video Intercom Demo Box	DHI-VTM504	Video Intercom Demo Box

Installation



Dimensions (mm[inch])

